

MAUHORN Signature Two

© Design by Andreas Mau.

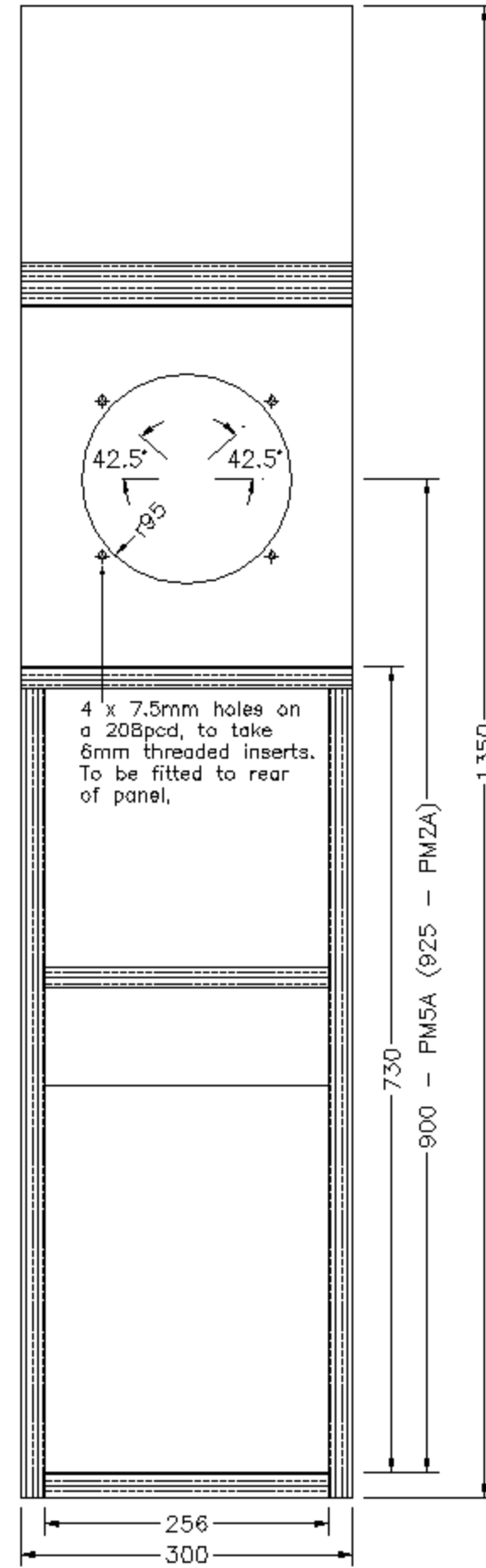
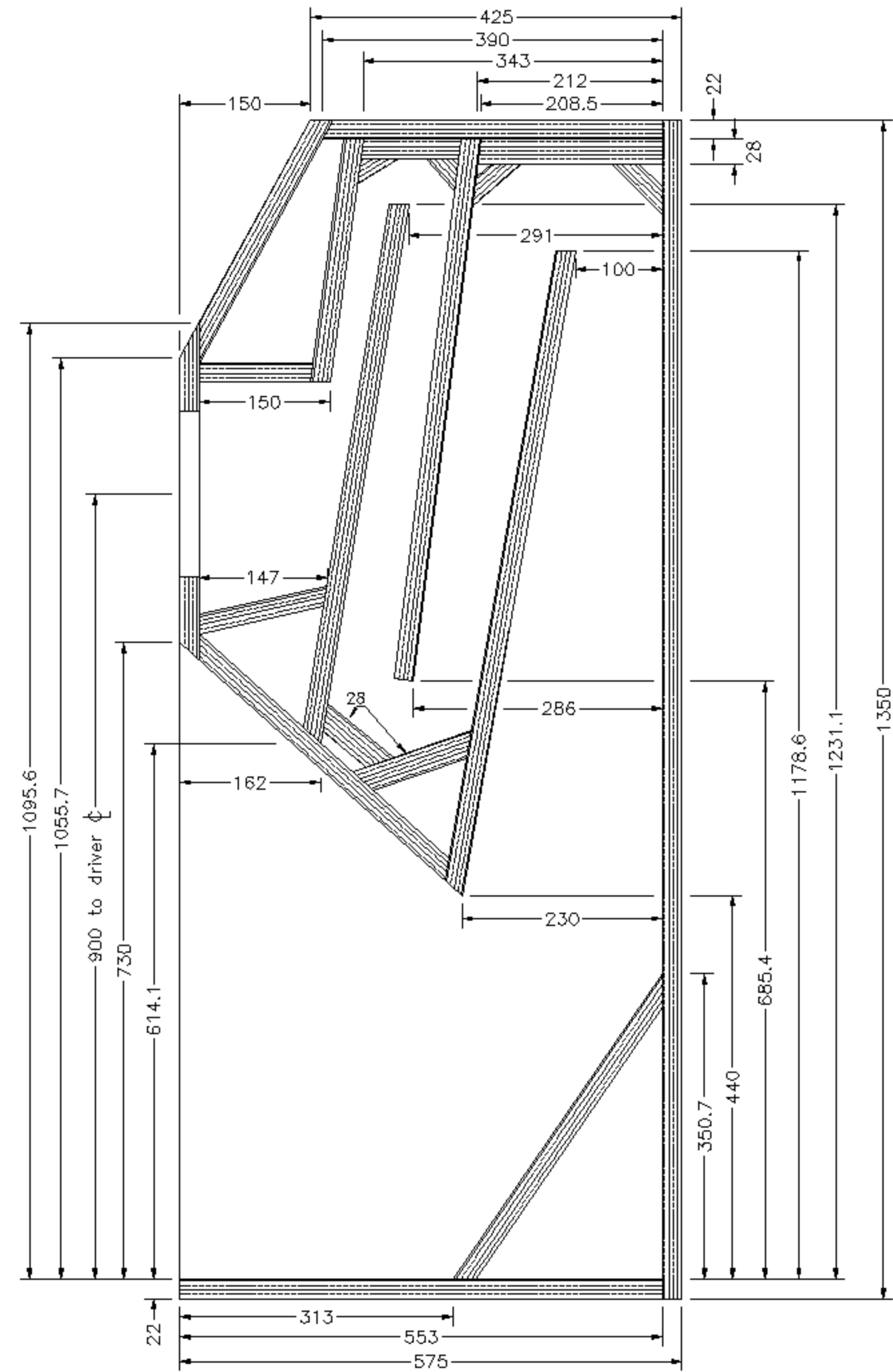
Material: 22 and 28mm MDF or Marine Ply.

Designed to accept Lowther Loudspeaker drivers, models PM2A and PM5A

Using PM2A, driver height at 925mm

Using PM5A, driver height at 900mm

1off Internal baffle, material 22mm on cabinet centre-line.



MAUHORN Signature Two

© Design by Andreas Mau.

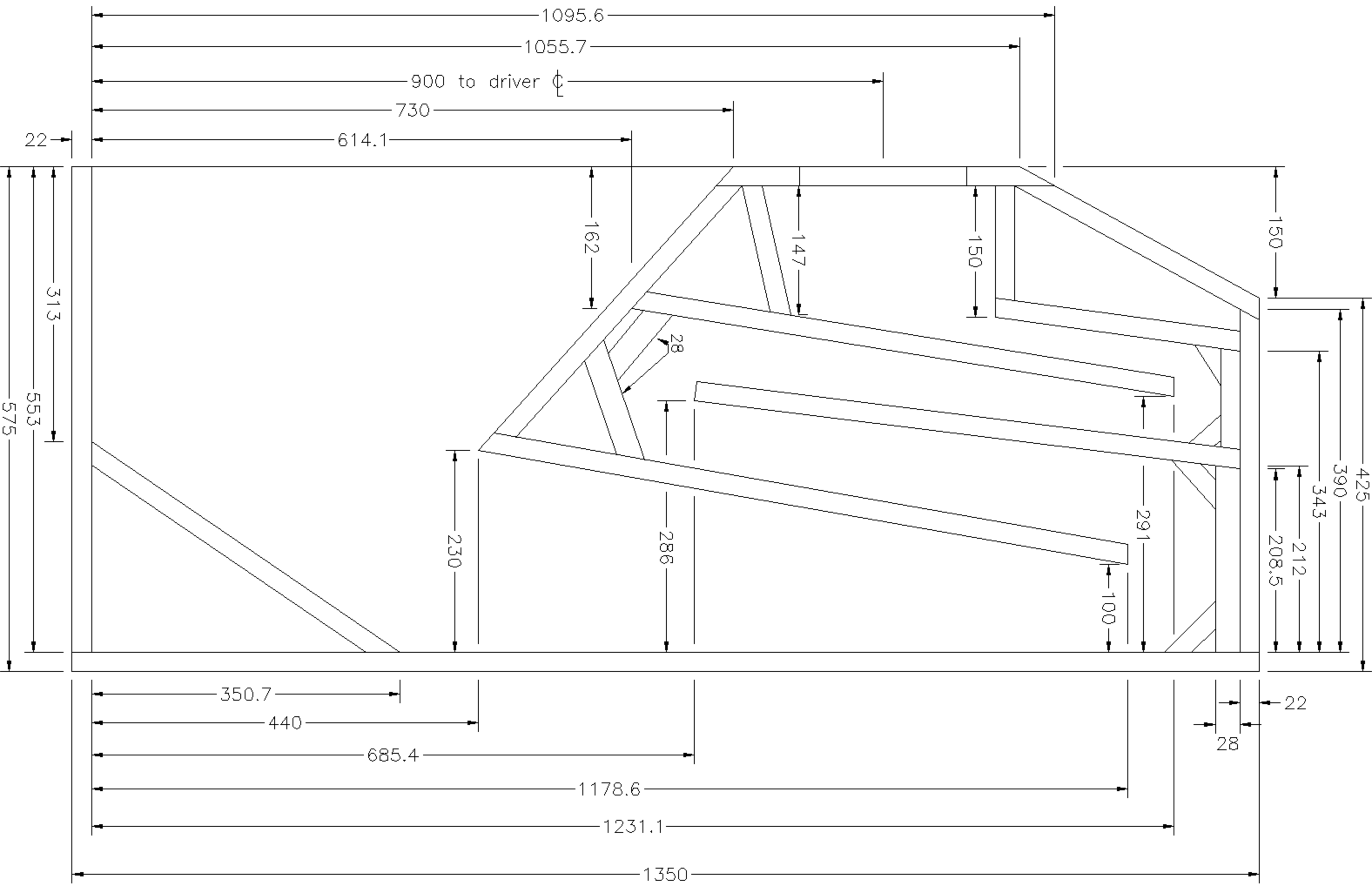
Material: 22 and 28mm MDF or Marine Ply.

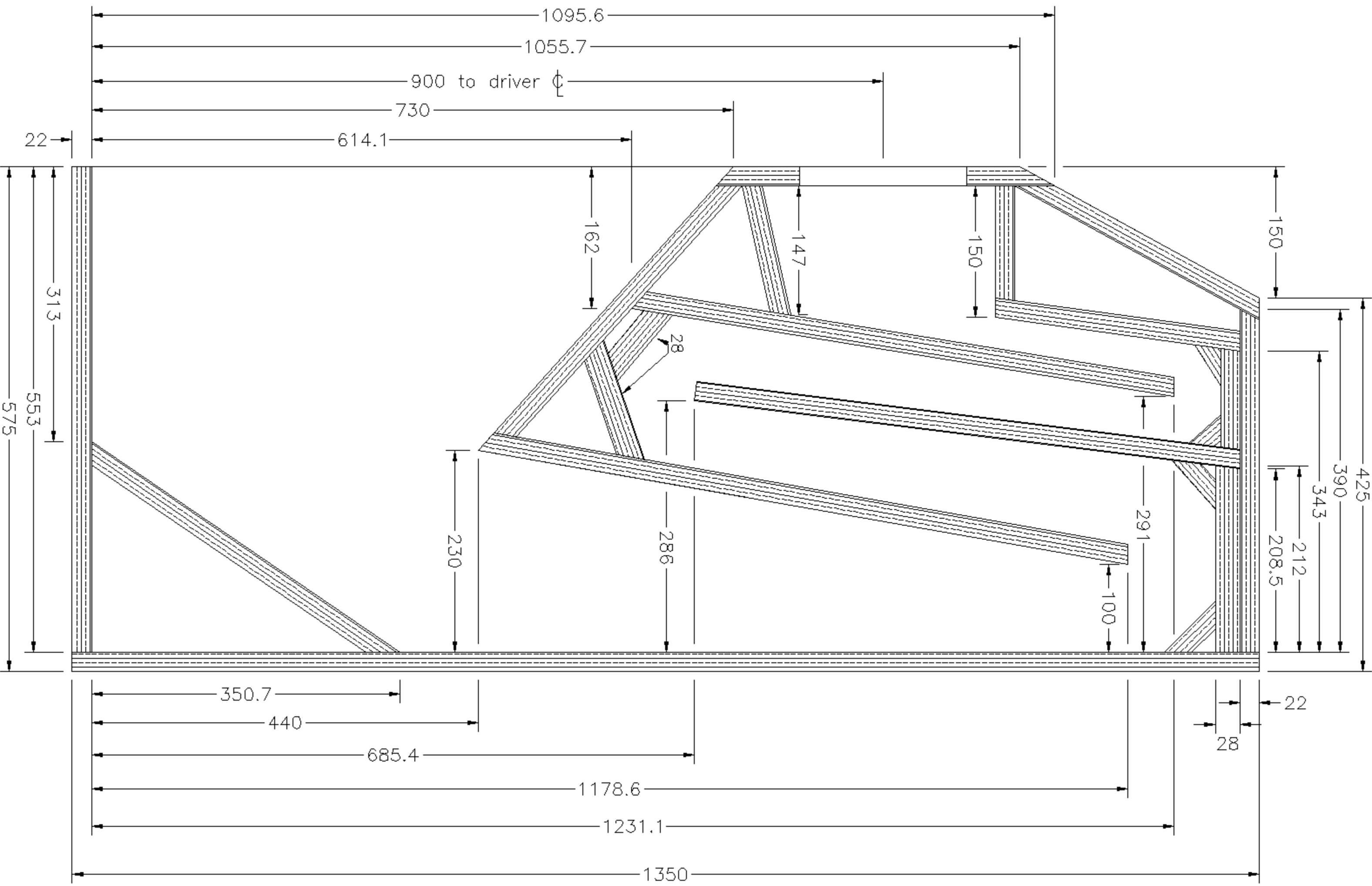
Designed to accept Lowther Loudspeaker drivers, models PM2A and PM5A

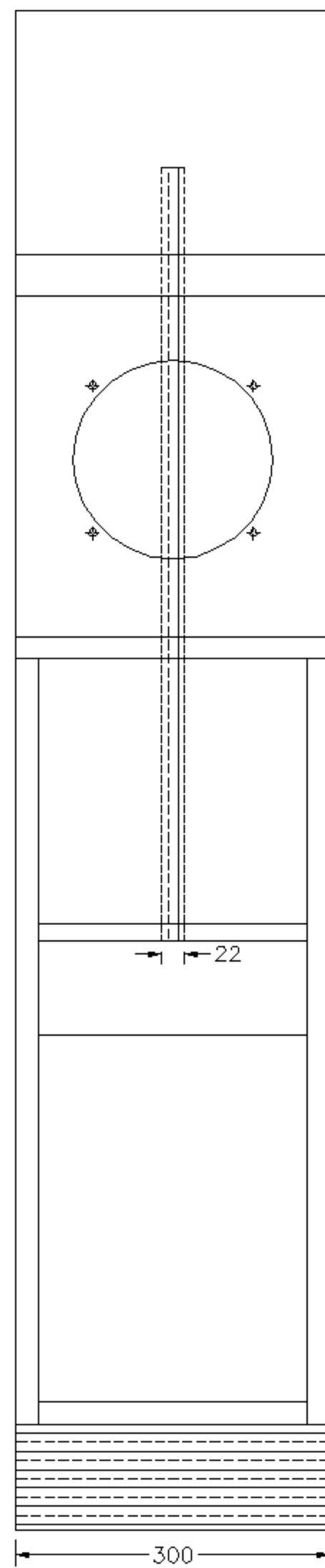
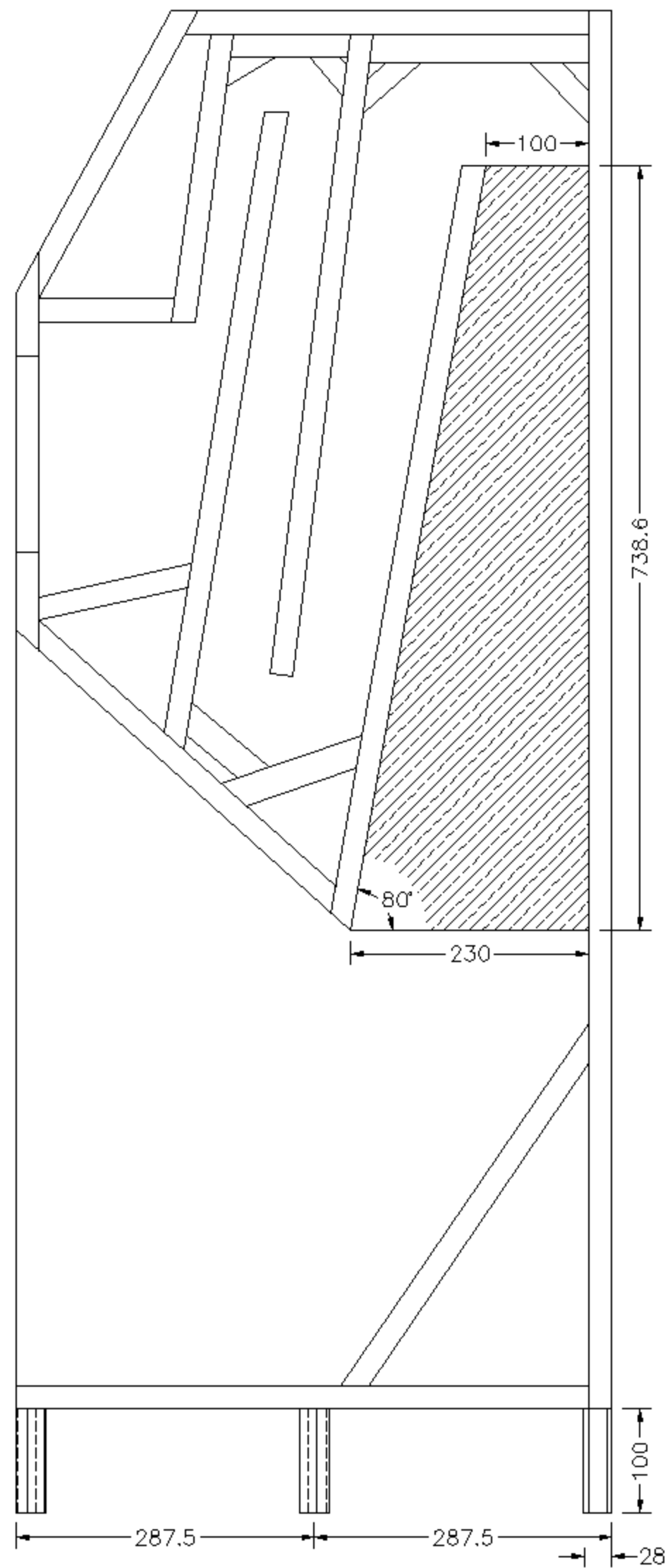
Using PM2A, driver height at 925mm

Using PM5A, driver height at 900mm

1off Internal baffle, material 22mm on cabinet centre-line.



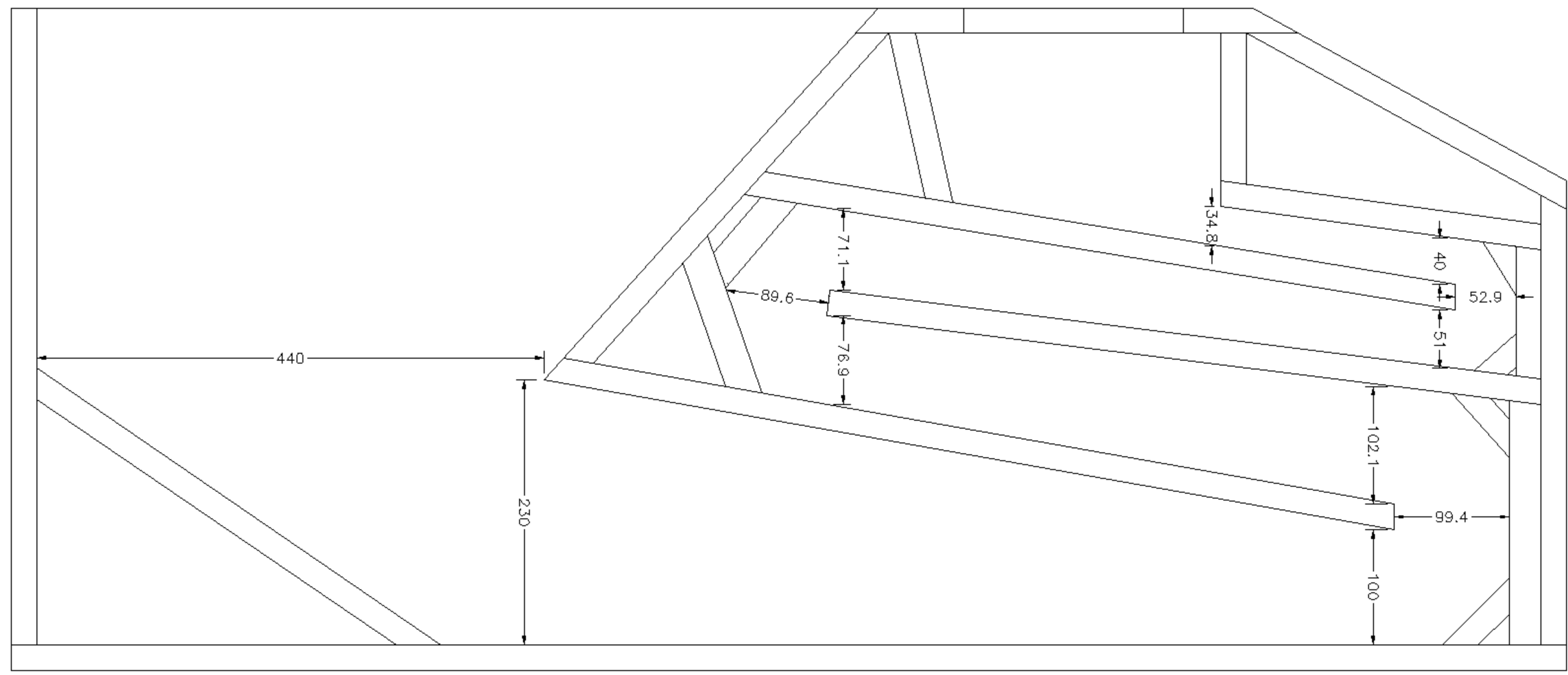


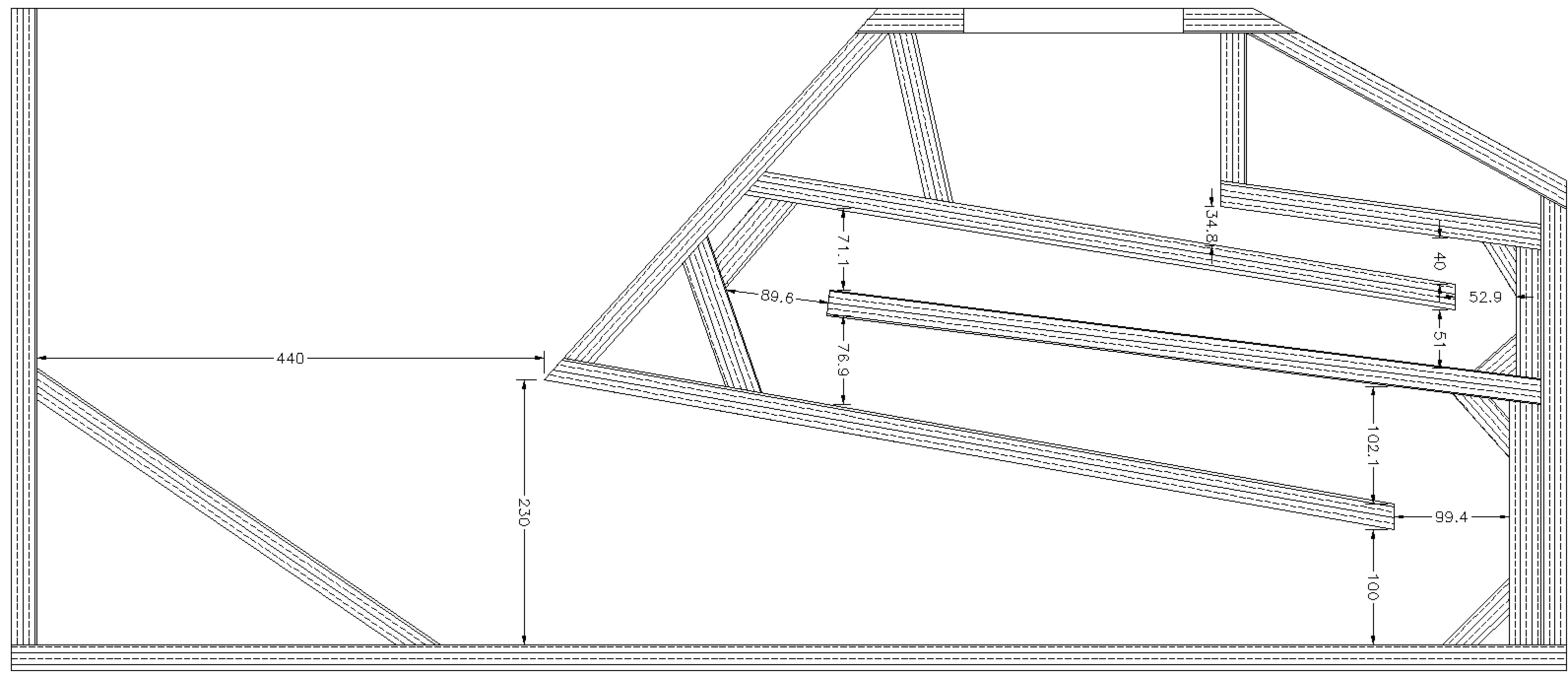


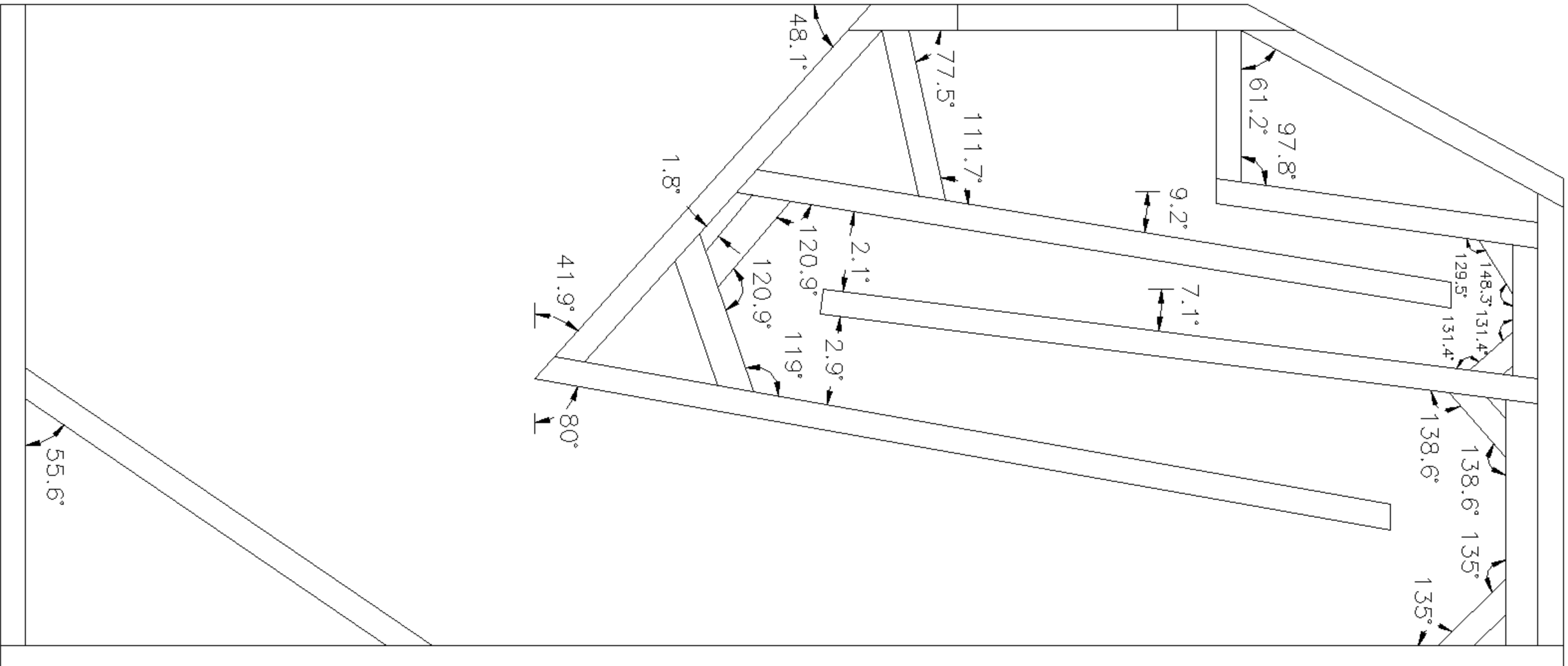
MAUHORN Signature Two

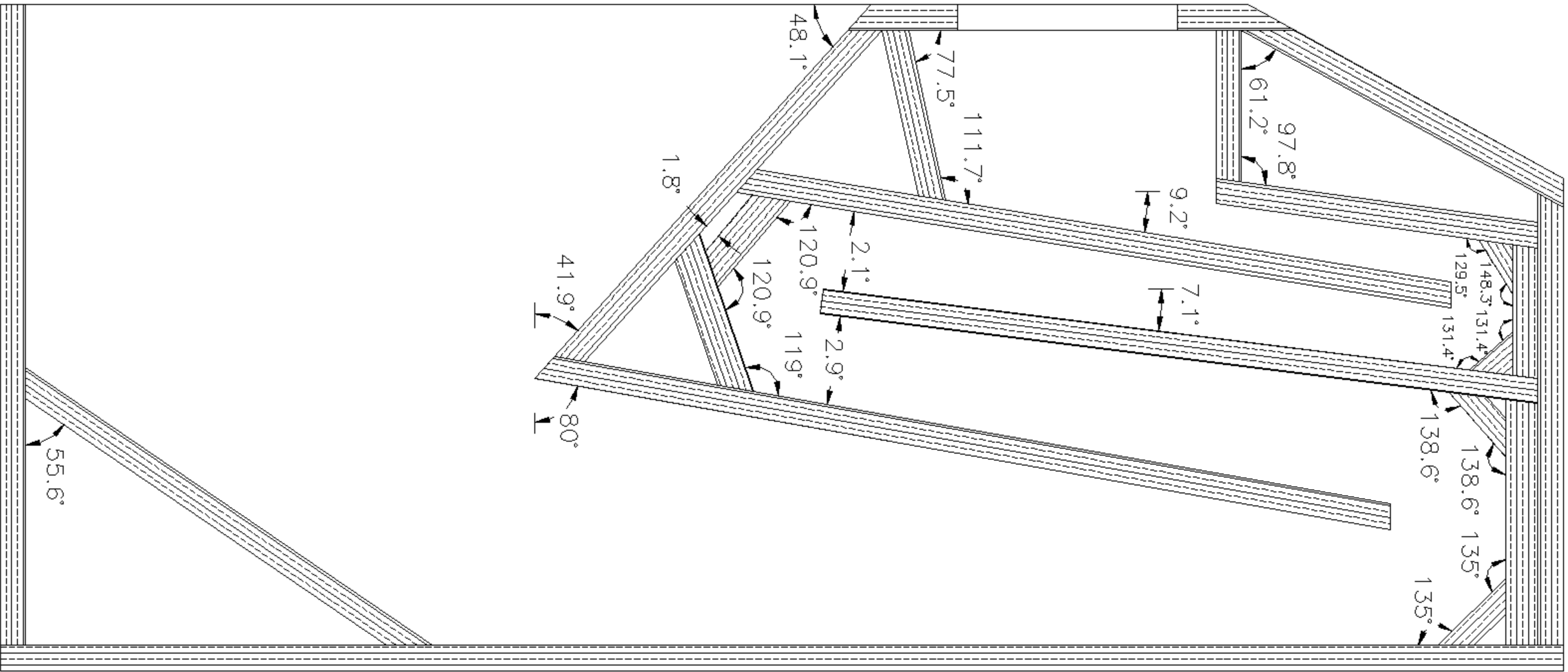
© Design by Andreas Mau.

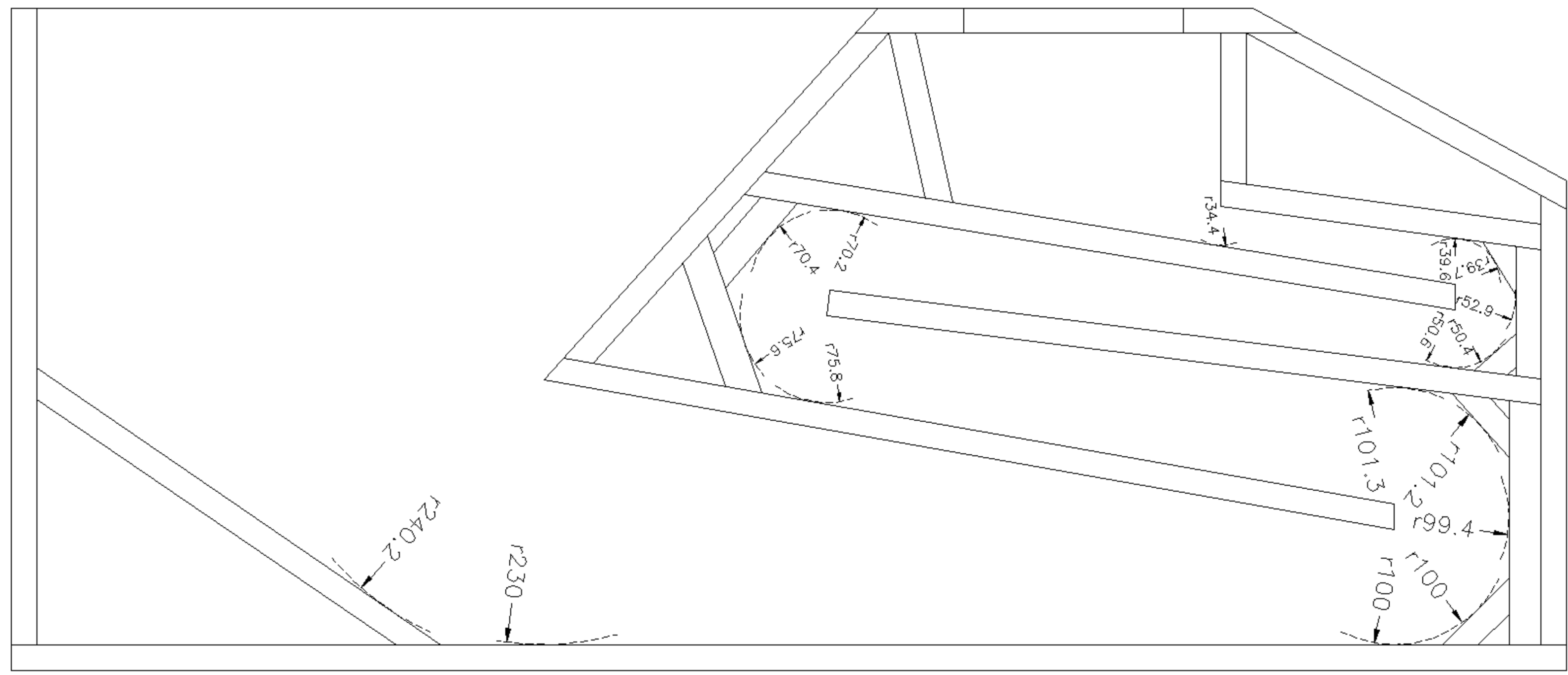
100mm high cabinet stand optional.

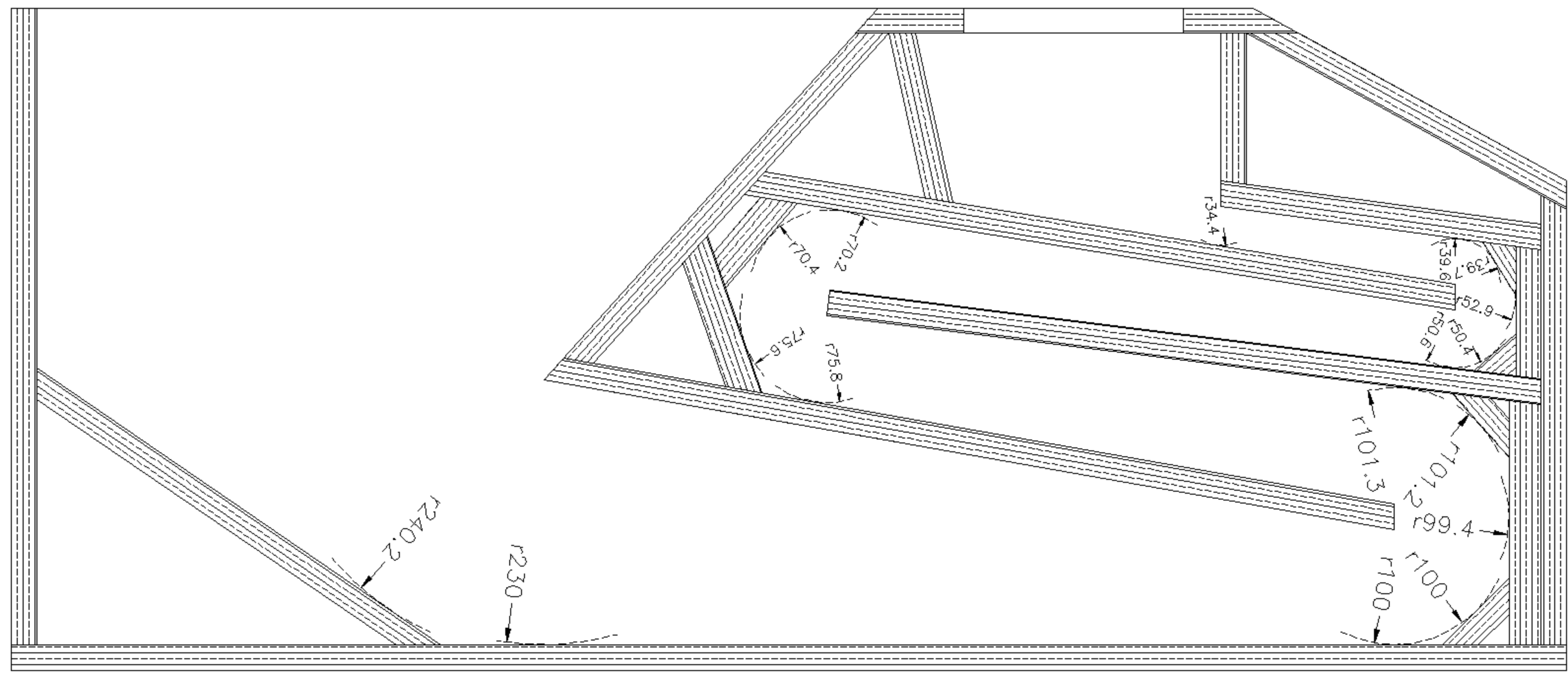


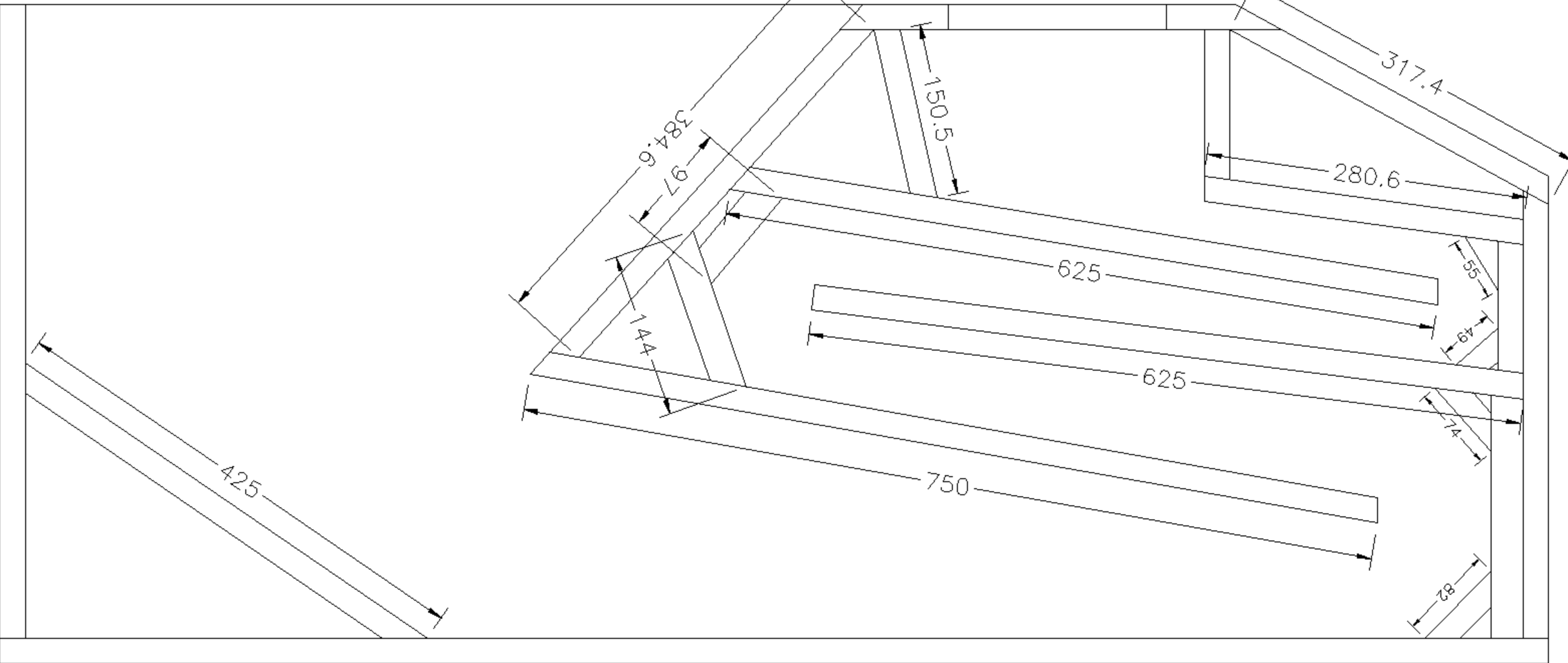


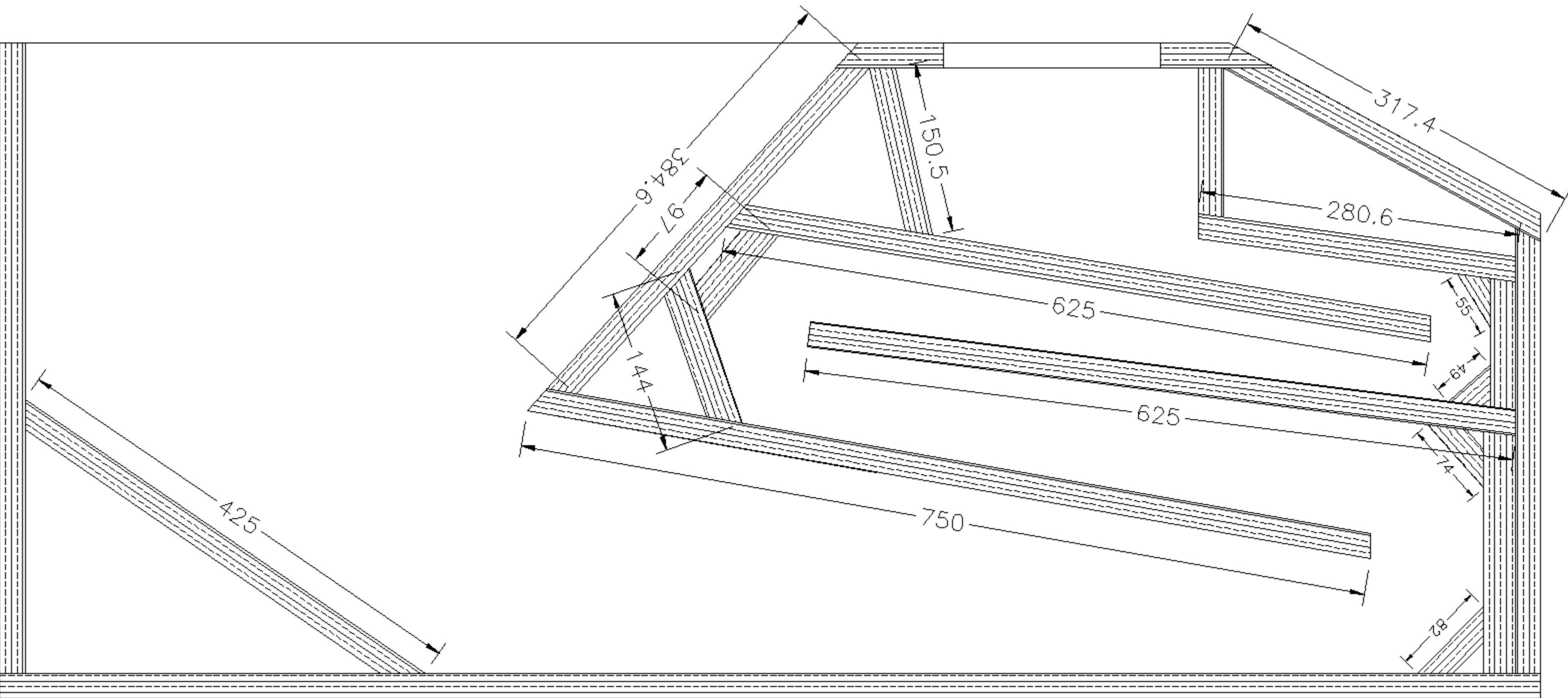


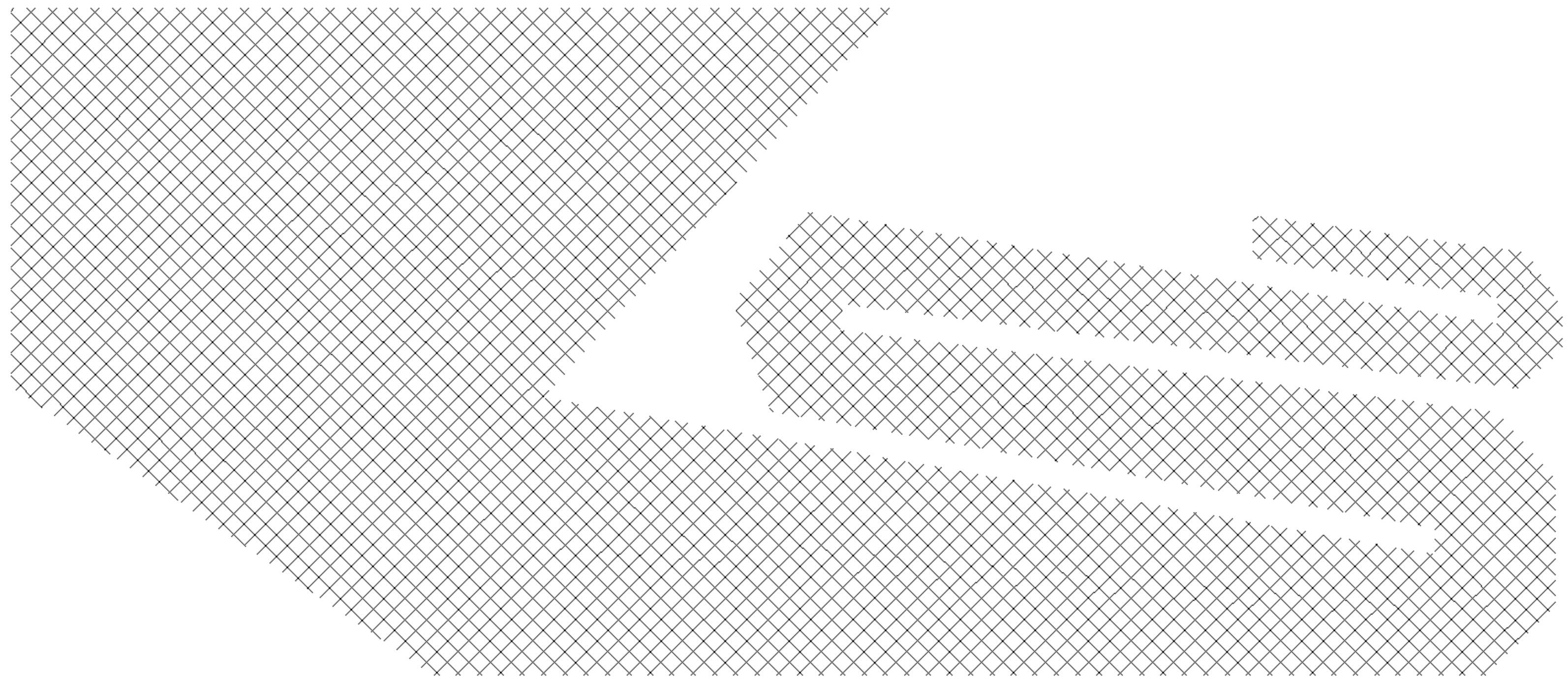




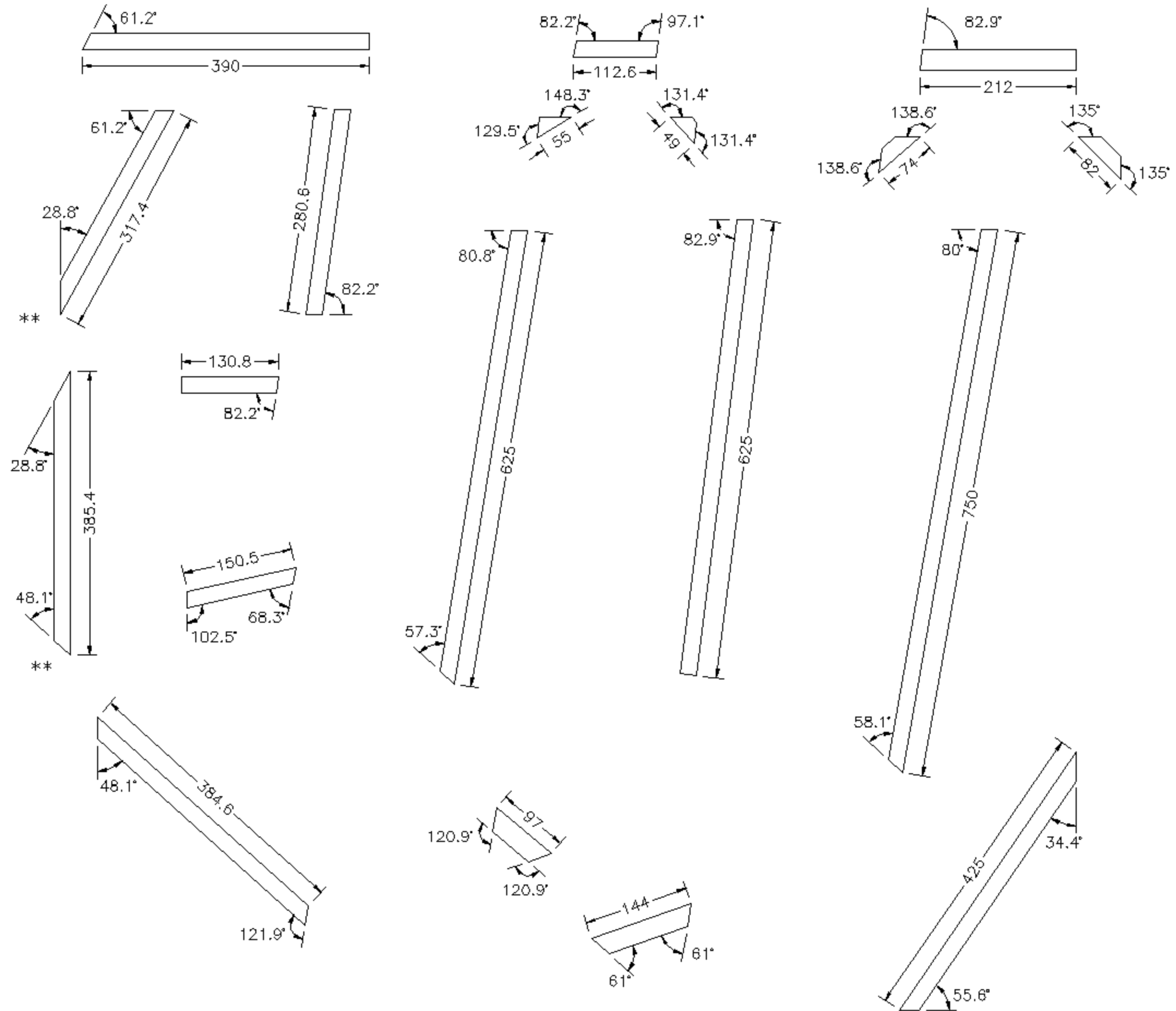
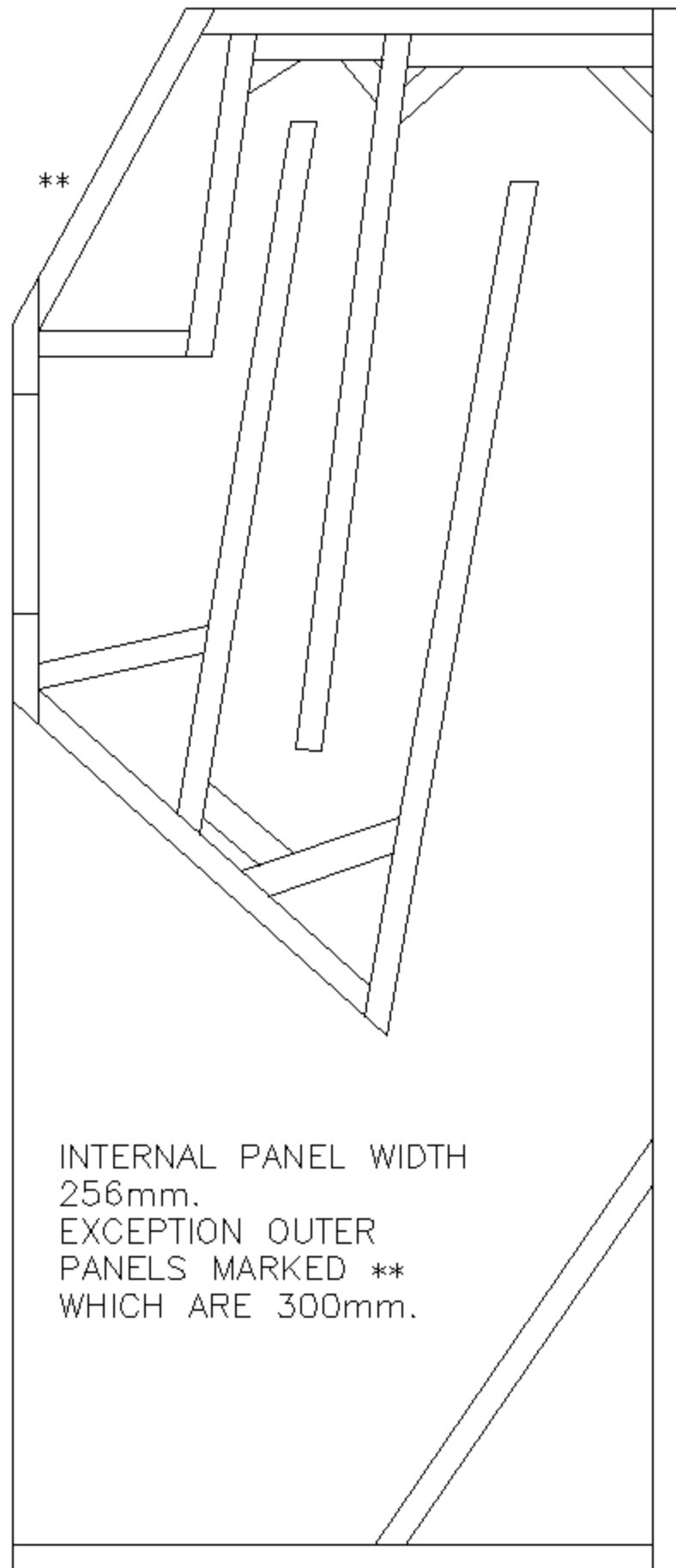




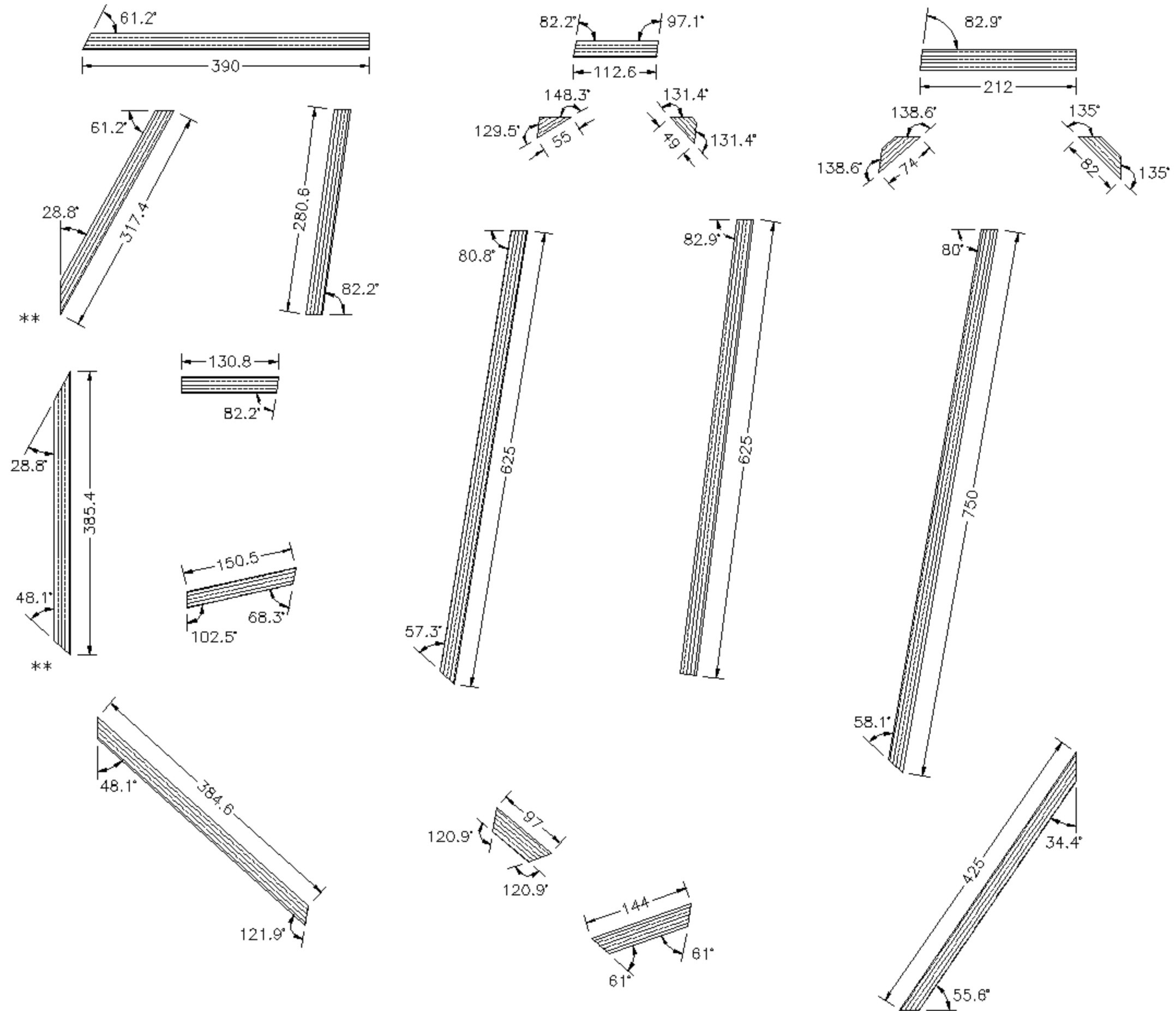
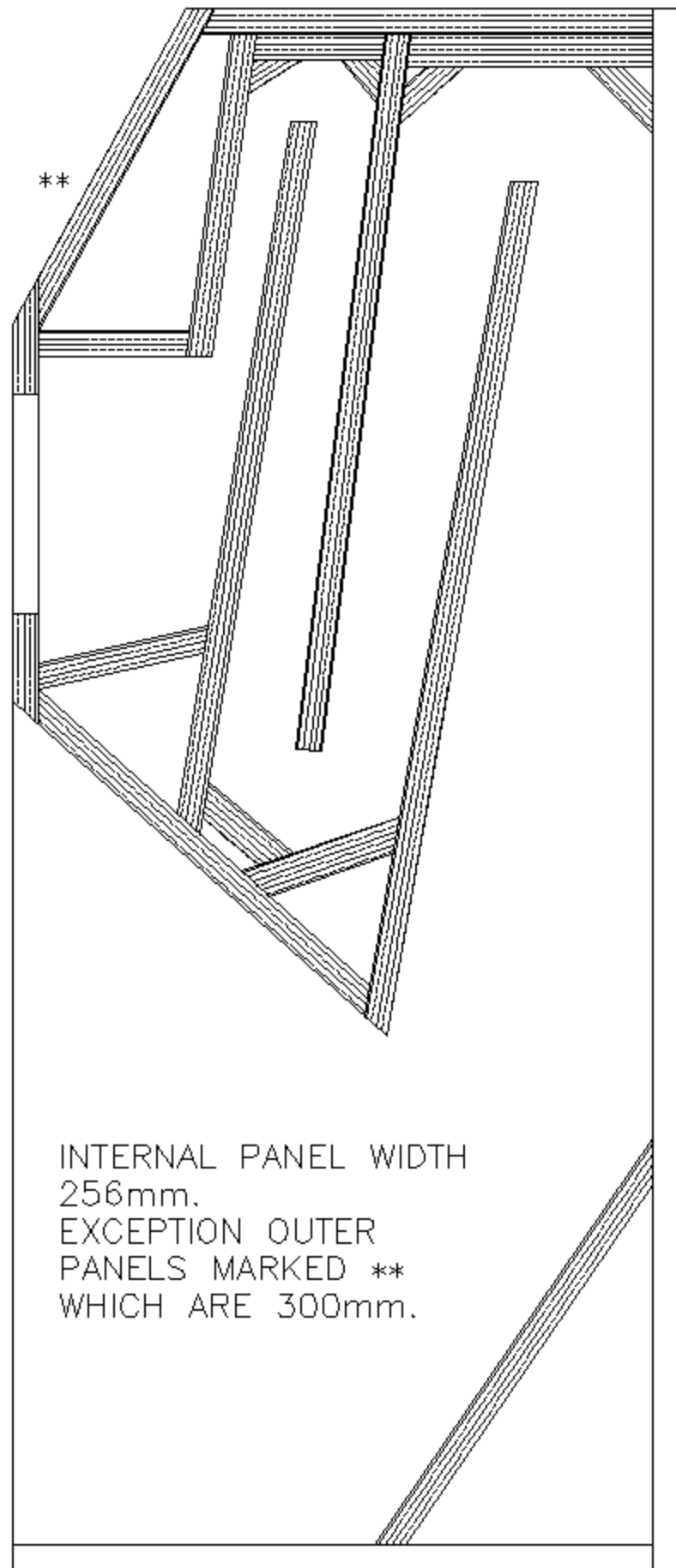




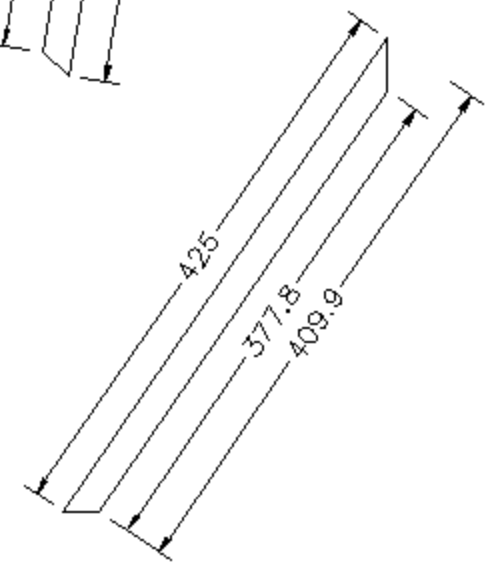
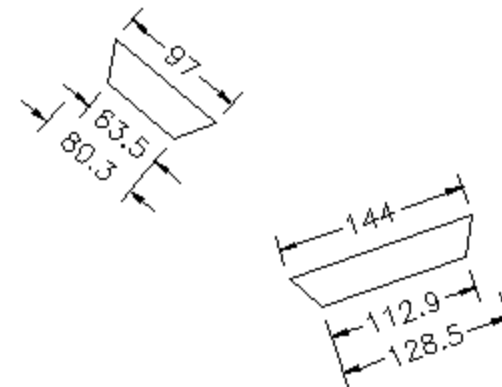
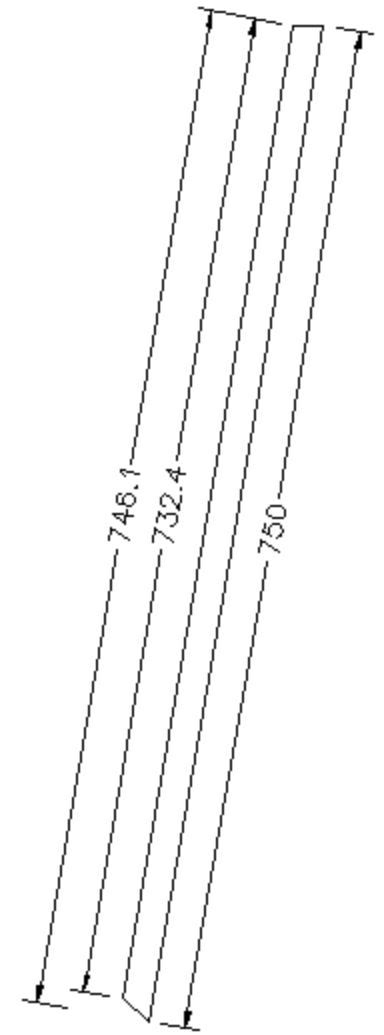
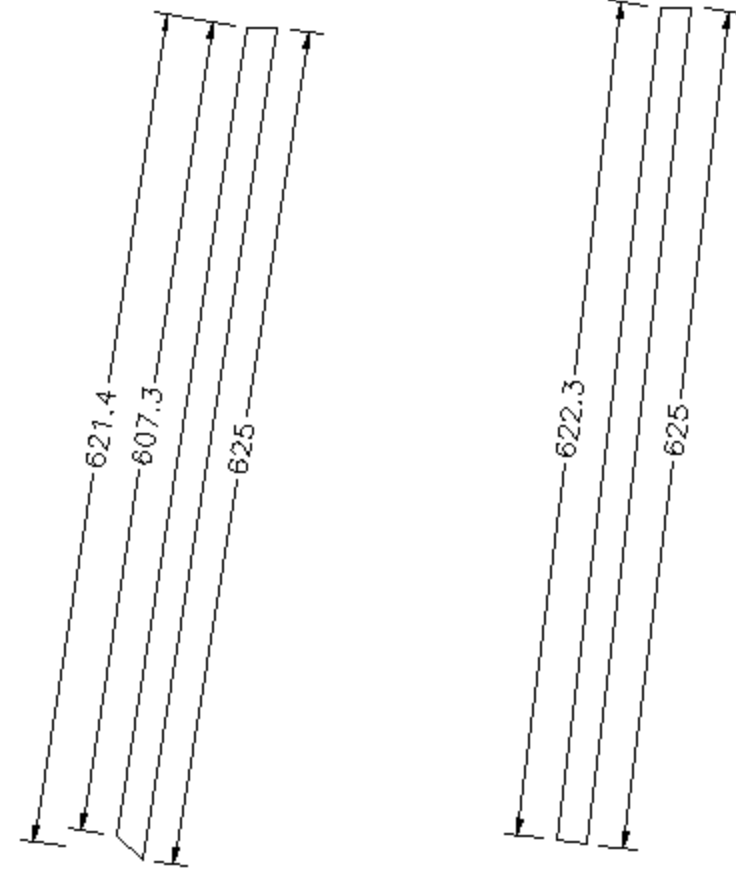
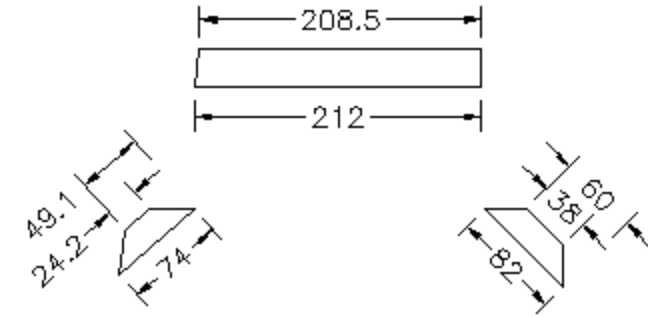
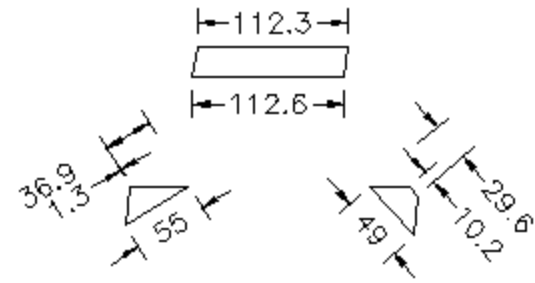
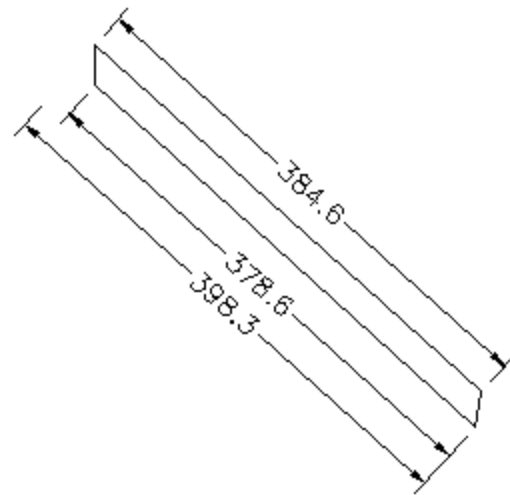
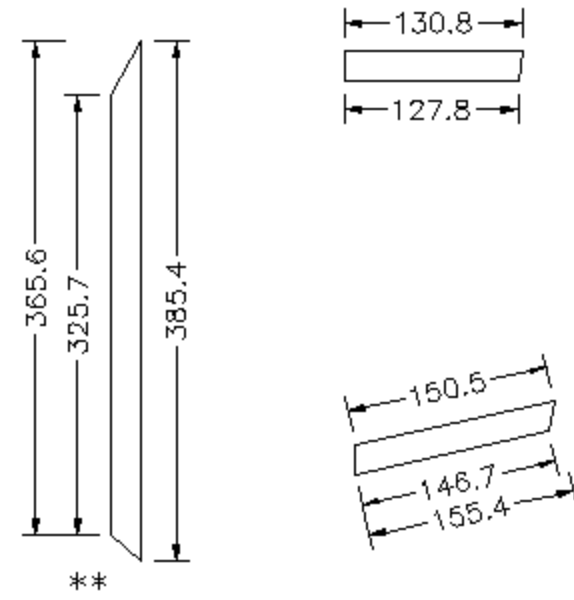
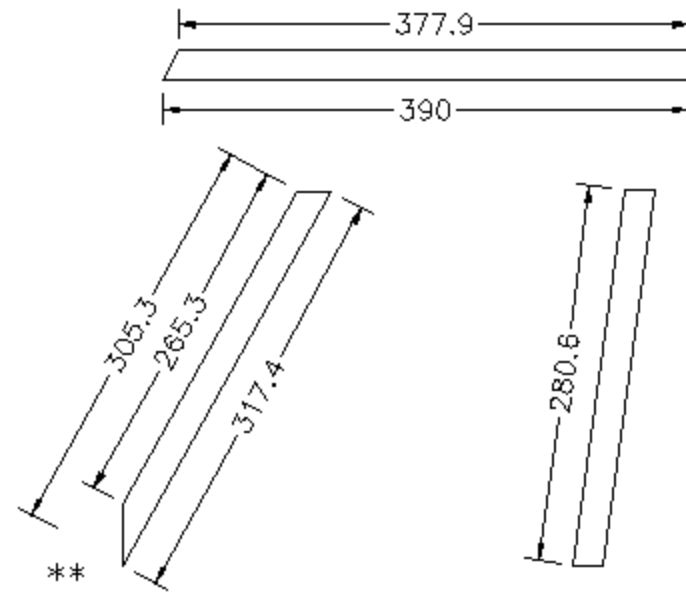
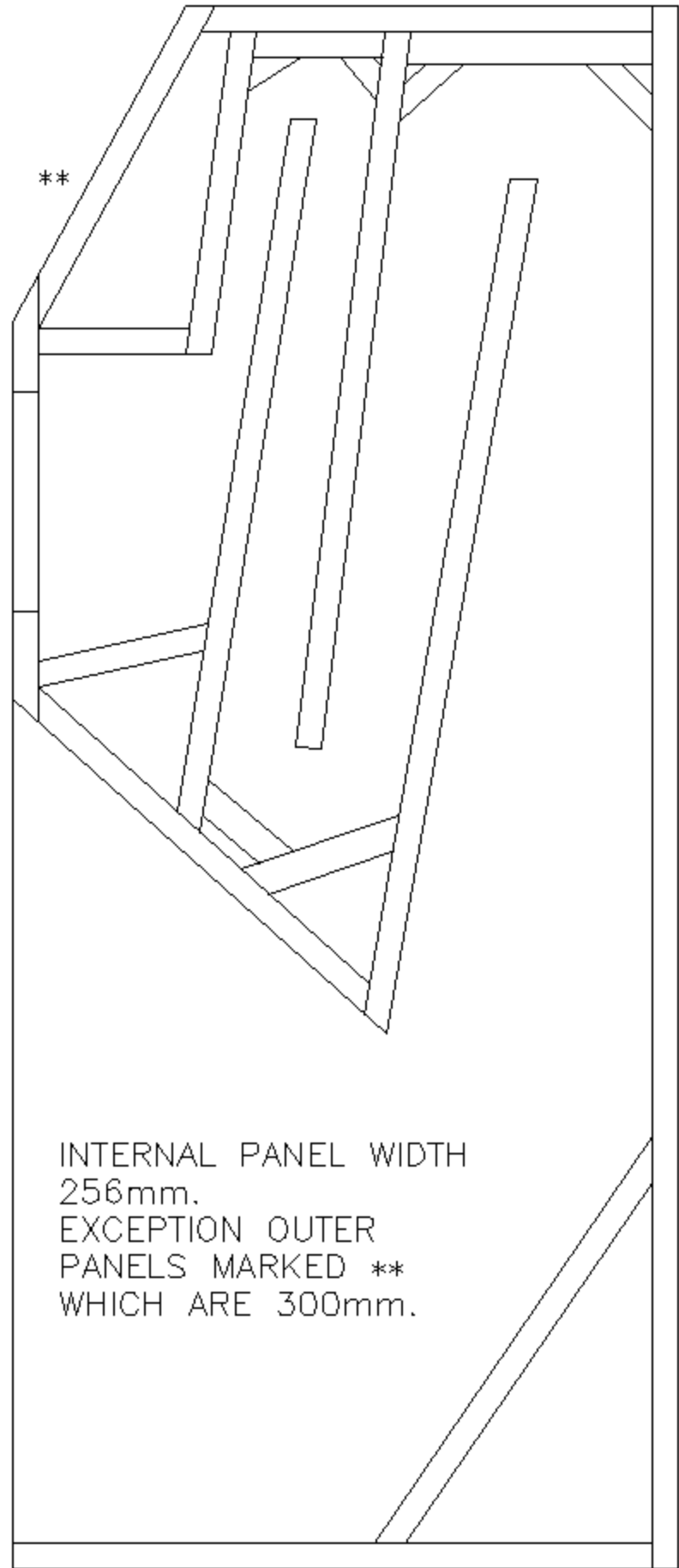
MAUHORN Signature Two



MAUHORN Signature Two



MAUHORN Signature Two



MAUHORN Signature Two

